

II 2G Ex db IIC T5 Gb  
 II 2G Ex db eb IIC T5 Gb ( )  
 II 2D Ex tb IIIC T100°C Db

REMATIC, DMS3,  
 24 V DC (2P )  
 (3P )  
 PROFIBUS DP V0/V1 MODBUS RTU.  
 : LED ( , RS-232).  
 a a  
 « - ».



**DMS3**

- 220 V AC
- T
- a
- 60 % 100 %
- 2 R1, R2 (18 )<sup>1)</sup>
- READY<sup>1)</sup>
- - 0/4 - 20 mA, 4 - 12 mA, 12 - 20 mA 0/2 - 10 V<sup>1)</sup>
- 24 V DC - , ,
- 24 V DC - , ,
- ESD ( )
- - 4 - 20 mA a ( )<sup>1)</sup>
- 24 V DC, 40
- ( , , .)
- LED
- RS 232
- ISO 5211
- IP 66 / IP 68
- RE3, RE4, RE5<sup>1)</sup>
- RE1, RE2, RE3, RE4, RE5, READY<sup>1)</sup>
- PROFIBUS DP V0/V1,
- MODBUS RTU,

1) Profibus Modbus

UPR 2PA-Ex

347	x	-	x	x	x	x	x	/	x	x
-----	---	---	---	---	---	---	---	---	---	---

/		o	e	10)			
3.1			-25°C ... +55°C	C3	T5	IP 66/IP 68	1
B2	+		-25°C ... +55°C	C4			2
2			-50°C ... +40°C	C3			3
2			-25°C ... +55°C	C3			6
1	-		-50°C ... +40°C	C4			7
2			-60°C ... +40°C	C3			8

		23)			
	50 Hz	230 V AC	Z514, Z523, Z515	0	
		220 V AC	Z574c, Z563	L	
	60 Hz <sup>24)</sup>	120V AC	Z514, Z523, Z515	T	
		110V AC	Z574c, Z563	B	
c	50 Hz	3x400 V AC	Z532b, Z536b, Z537b	2	
		3x380 V AC	Z574d, Z563a	N	
	50 Hz	3x400 V AC	Z532f, Z536f, Z537f	E	
3x380 V AC			F		

230 (220) V AC			3x400 (380) V AC					
31)	32) 33)		31)	32) 33)				
	«	- »		«	- »	50 Hz	60 Hz	
300 Nm	180 Nm	120 Nm	-	-	-	80 s/90°	66 s/90°	A
			300 Nm	180 Nm	120 Nm	40 s/90°	34 s/90°	C
-	-	-	250 Nm	150 Nm	100 Nm	20 s/90°	17 s/90°	D
180 Nm	110 Nm	72 Nm	-	-	-	10 s/90°	8 s/90°	E
			180 Nm	110 Nm	72 Nm	80 s/90°	66 s/90°	J
			180 Nm	110 Nm	72 Nm	40 s/90°	34 s/90°	L
170 Nm	100 Nm	70 Nm	180 Nm	110 Nm	72 Nm	20 s/90°	17 s/90°	N
-	-	-				10 s/90°	8 s/90°	Q
120 Nm	72 Nm	50 Nm	-	-	-	5 s/90°	4 s/90°	F
			120 Nm	72 Nm	50 Nm	80 s/90°	66 s/90°	K
			120 Nm	72 Nm	50 Nm	40 s/90°	34 s/90°	M
			120 Nm	72 Nm	50 Nm	20 s/90°	17 s/90°	P
						10 s/90°	8 s/90°	S
						5 s/90°	4 s/90°	T

		60°	A
		90°	B
		120°	C
		160°	D
42)		50° - 120°	M
		90° - 160°	N
		160° - 360°	P

DMS3	2P	24 V DC		-	Z515, Z537b Z537f	F
	3P/2P	0/4 - 20 mA	24 V DC		4 - 20 mA	Z514, Z532b Z532f
0/2 - 10 V				Z523, Z536b Z536f		H
DMS3 M1	/ 2P	MODBUS RTU			Z574c, Z547d	M
DMS3 M2			24 V DC		Z563, Z563a	N
DMS3 P1		PROFIBUS DP V0 / V1			Z574c, Z547d	P
DMS3 P2					Z563, Z563a	R

UPR 2PA-Ex

347. x - x x x x x / x x

		ISO		
ISO 5211	F07 / F10 <sup>61)</sup>	D-22	22x22	A
		L-22	22x22	B
		H-22	22x32	C
		V-22	∅22	D
		D-17	17x17	E
		L-17	17x17	F
		H-17	17x25	G
		V-28	∅28	H
		V-36	∅36 <sup>62)</sup>	M
		H-14	14x22	Q
		H-13	13x19	N
		V-17	∅17	P
		D-19	19x19	R
		L-19	19x19	S
		V-18	∅18	T
		V-42	∅42 <sup>63)</sup>	U
		-	∅10 <sup>64)</sup>	V
		H-19	19x28	W
		D-14	14x14	Y
L-14	14x14	Z		

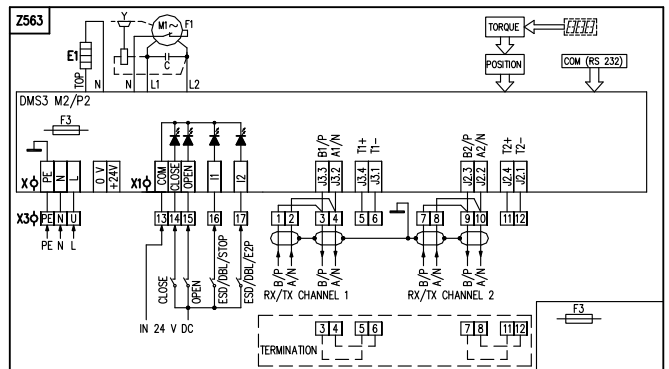
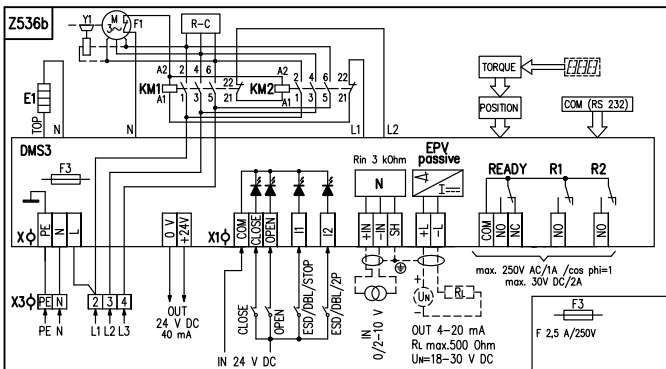
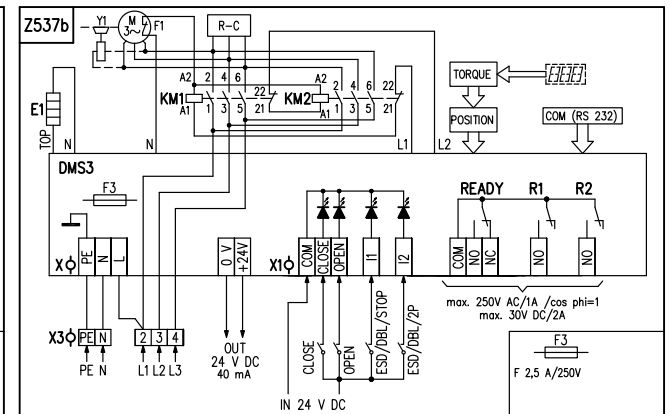
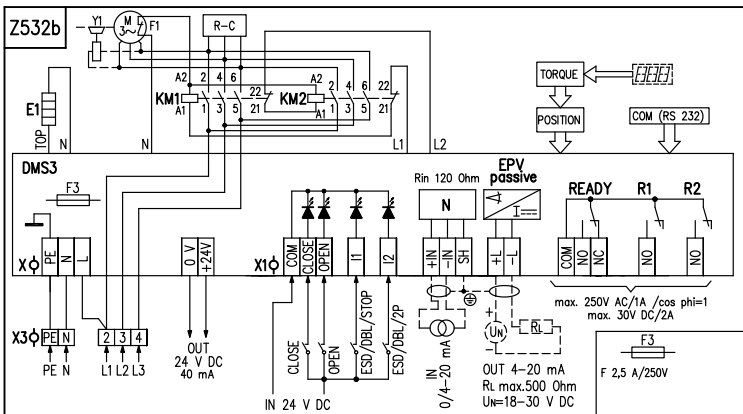
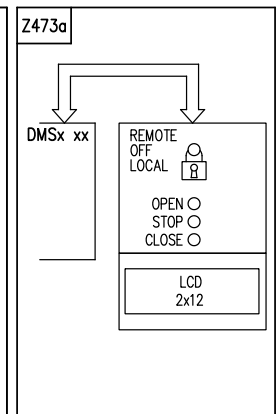
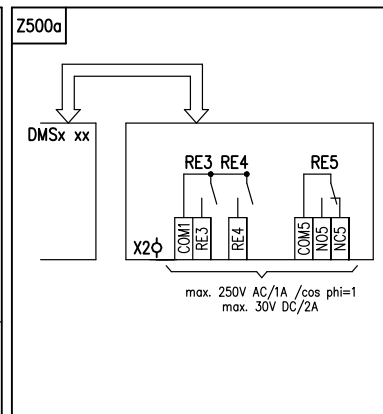
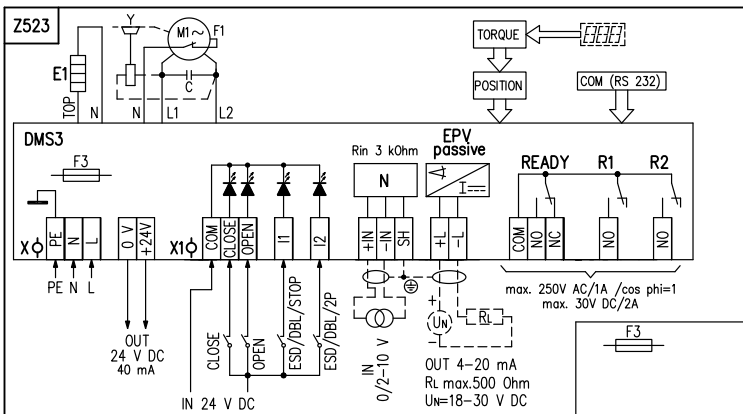
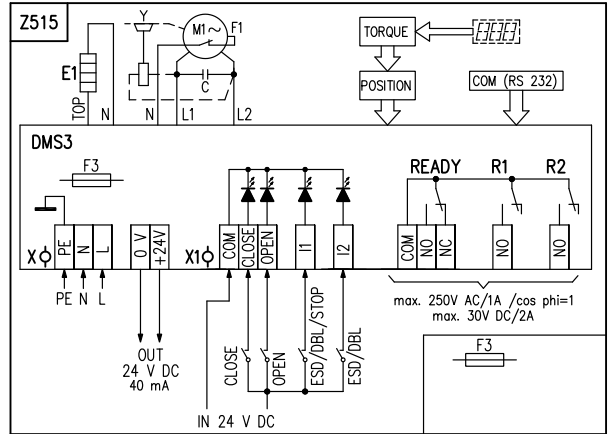
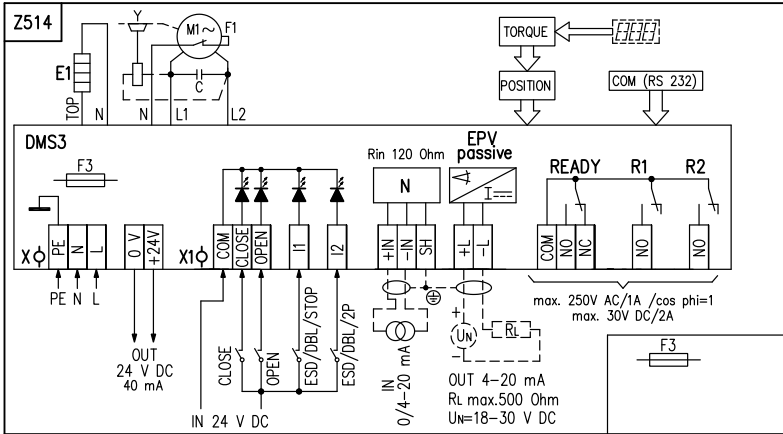
A				0	1
B				0	3
D	RE3, RE4, RE5 ( DMS3 RE3) <sup>71)</sup>	Z500a		0	5
E	RE1, RE2, RE3, RE4, RE5, READY ( DMS3 RE6) <sup>71)72)</sup>	Z500		0	6
F	LCD ( -25°C)	Z473a		0	7
K	„e“ <sup>73)</sup>	-		1	1

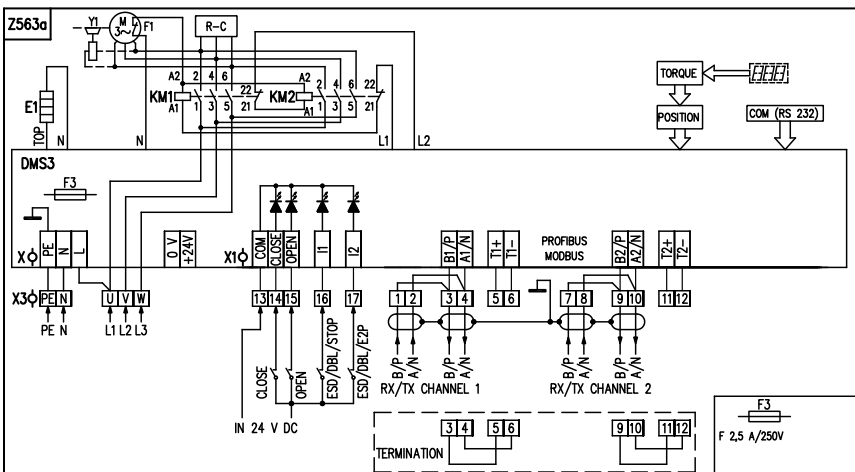
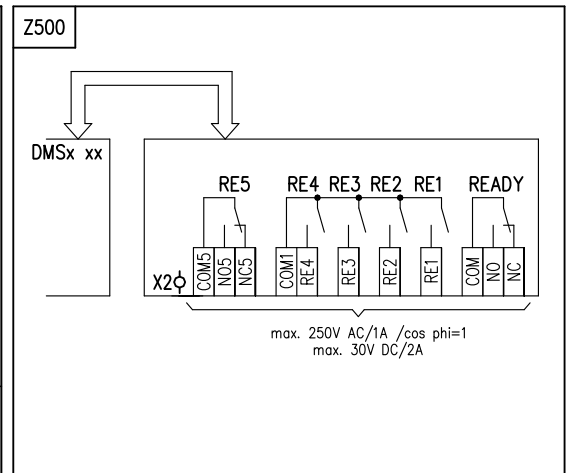
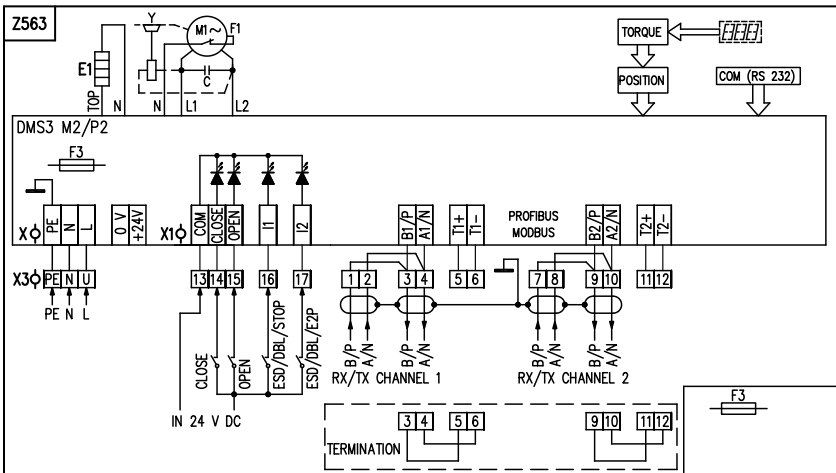
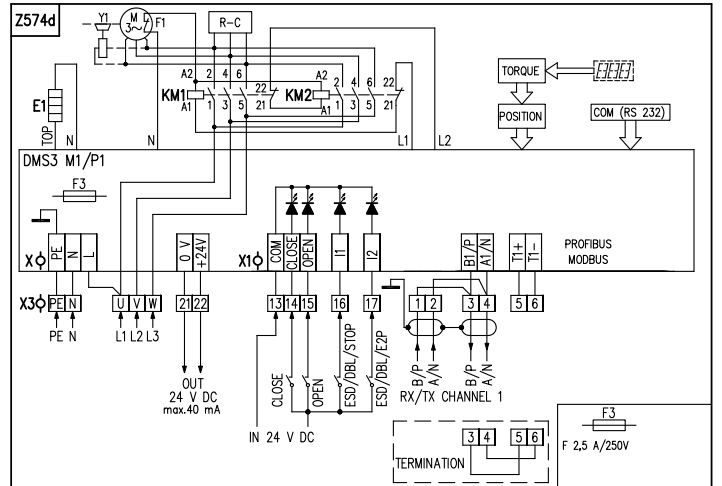
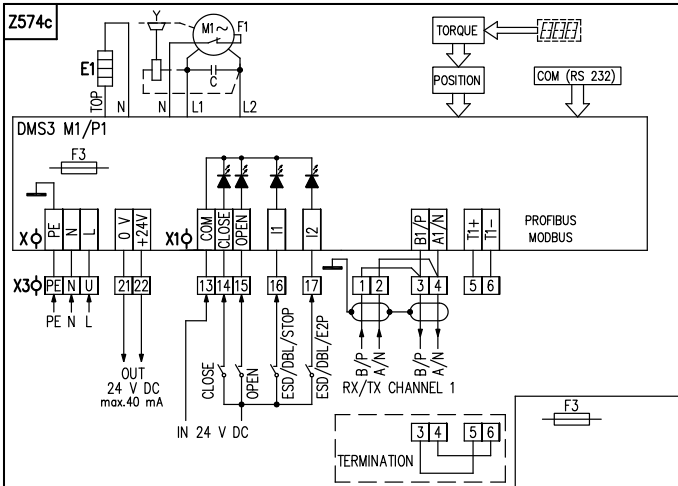
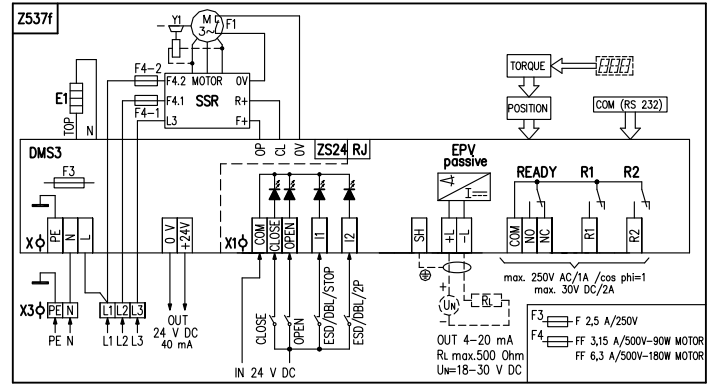
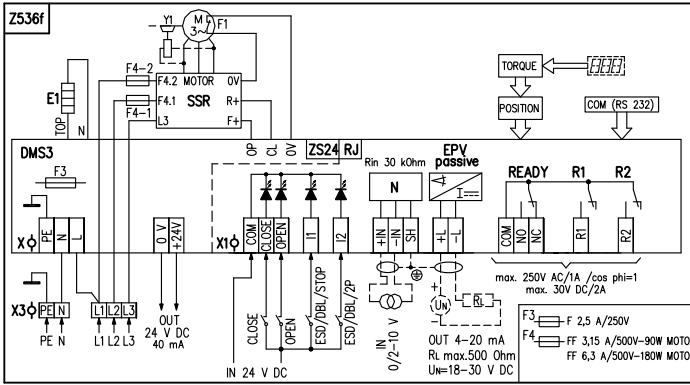
: A+B=20, A+D=22, A+E=23, A+F=24, B+D=29, B+E=30, B+F=31, D+F=40 ,E+F=44, A+B+D=52, A+B+E=53, A+B+F=54, A+D+F=63, A+E+F=67, B+D+F=80, B+E+F=84, A+B+E+F=113, A+B+D+F=114

DB-9F/RJ45	DMS3	224 A80 100
------------	------	-------------

10) : ISO 9223 / EN ISO 12944-2.  
 11) IP 68 - 10 / 96 , 60 , 60 100 % . 80 % .  
 24)  
 31)  
 32) S2-10 min a S4-25% 90 / .  
 33) S4-25% , 90 - 1200 / .  
 42)  
 61) F07 - . 250 .  
 62) ( ) .  
 63) ∅10 .  
 64) "de"  
 65) PROFIBUS MODBUS RTU. Profibus Modbus.  
 71) 3x400/3x380 V.  
 72) „d“  
 73) „de“ ( „e“ ) .

UPR 2PA-Ex



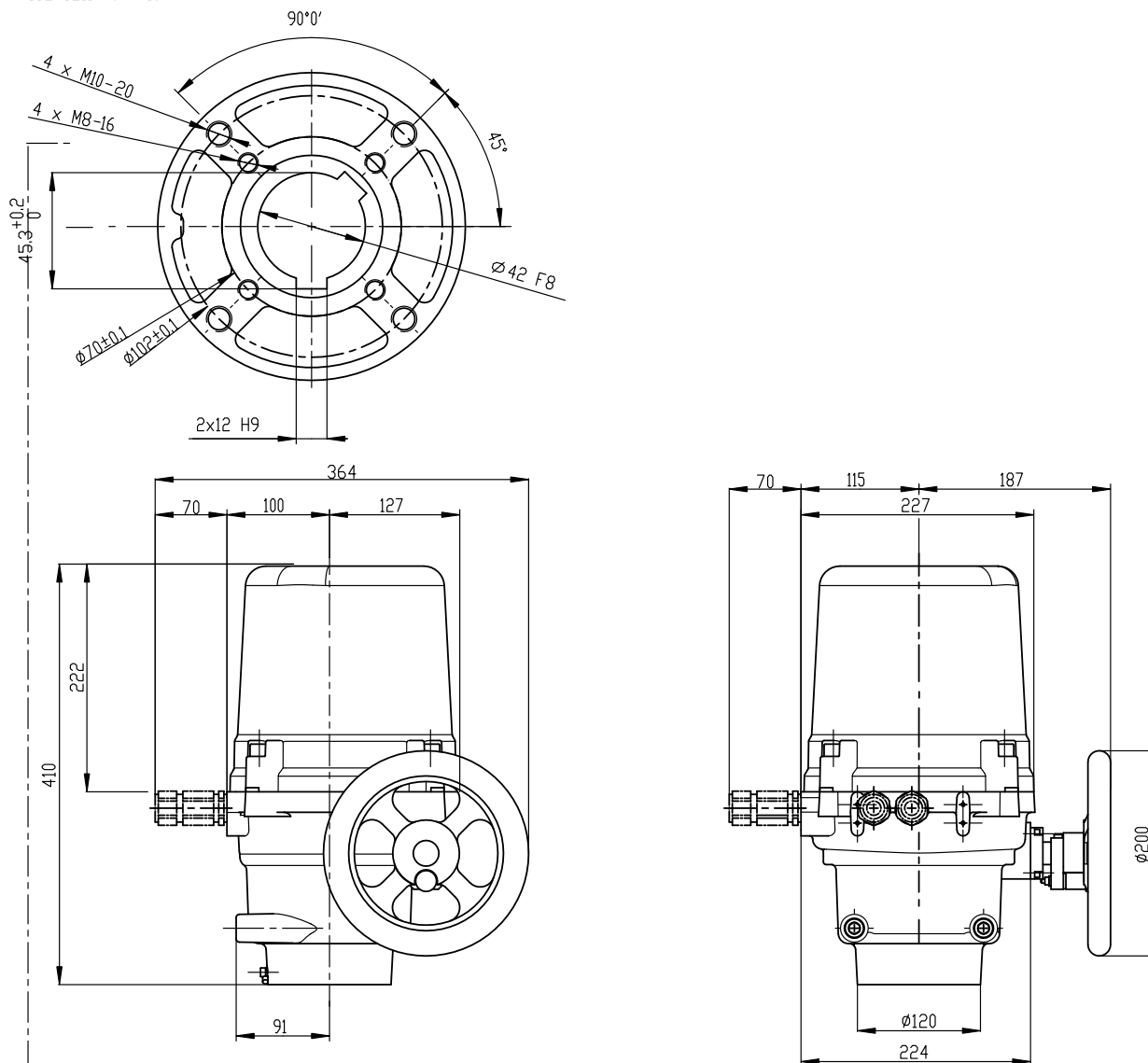




I1: ; ESD (Emergency shut down -  
 "); DBL ( ;  
 I2: ; ESD (Emergency shut down -  
 "); DBL ( ;  
 3P/2P I2 ; 24 V DC). ; 2P ( ;  
 I1, I2 ; ESD I1,  
 ESD I2).

UPR 2PA-Ex

ISO 5211-F07/F10

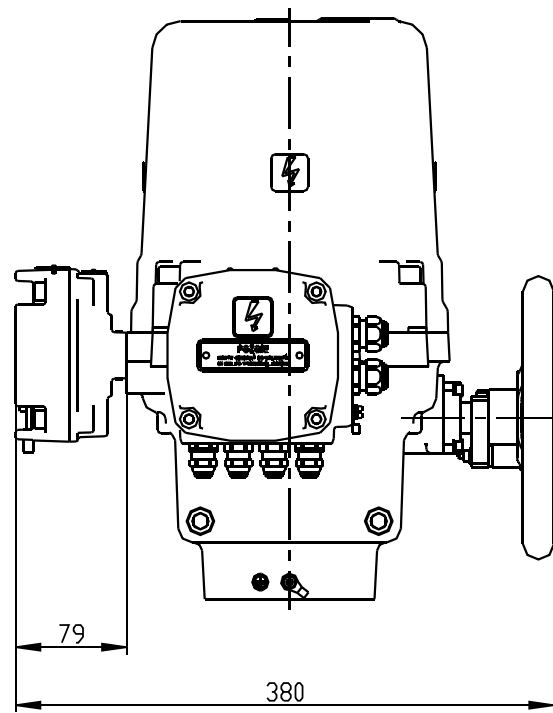
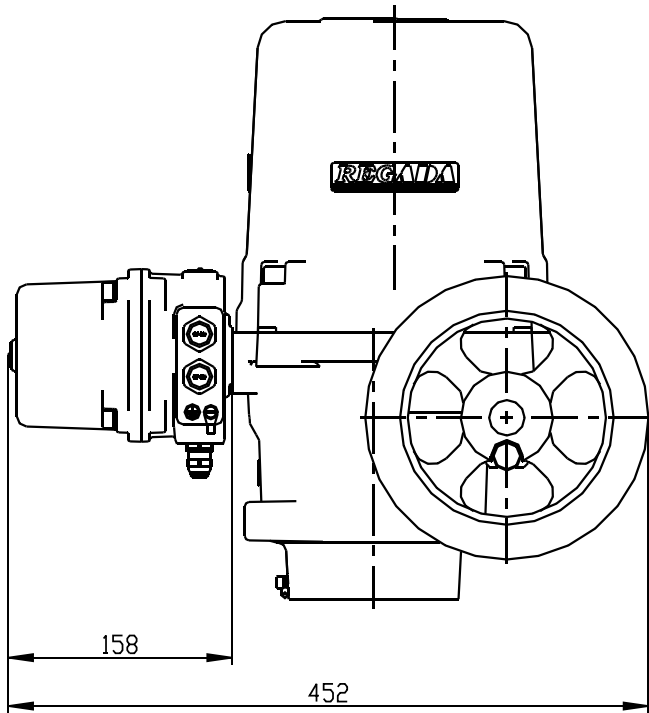


D-xx		L-xx		H-xx			V-xx		V-42	
ISO	ISO	ISO	ISO	ISO	ISO	ISO	ISO	ISO	ISO	ISO
D-xx	U	L-xx	U	H-xx	U	V	V-xx	W	Z	X
D-22	22	L-22	22	H-22	22	36	V-42	42	45.3	12
D-19	19	L-19	19	H-19	19	28	V-36	36	39.3	10
D-17	17	L-17	17	H-17	17	36	V-28	28	30.9	8
D-14	14	L-14	14	H-14	14	22	V-22	22	24.9	8
				H-13	13	19	V-18	18	20.5	6
							V-17	17	19.5	6

Profibus Modbus

UPR 2PA-Ex

„de“



P-2083