



MO 4

- 3x380 V AC
- T
- 2
- 2
- M
- IP 55

ISO 5210 - F14

160.	x	-	x	x	x	x	x	/	x	x
------	---	---	---	---	---	---	---	---	---	---

O	/	o	e	10)	
3.1			-20°C ÷ +60°C	C3	IP 55
					IP 67
2	+		-20°C ÷ +60°C	C4	IP 67
2			-50°C ÷ +45°C	C3	IP 55
					IP 67
2			-20°C ÷ +60°C	C3	IP 55
					IP 67
1	-		-50°C ÷ +45°C	C4	IP 67
2			-60°C ÷ +45°C	C3	IP 55
					IP 67

	25)	
	Y/D 380 V AC	Z279a
	Y/D 400 V AC	Z279a
	Y/D 380 V AC -	Z297a
	Y/D 400 V AC -	Z297a
21)	Y/D 380 V AC	Z279a
	Y/D 400 V AC	Z279a
	Y/D 380 V AC -	Z297a
	Y/D 400 V AC -	Z297a

31)	32)		33)	34)			
	«	»		3x400 V, 50Hz			
150 ÷ 250 Nm	150 Nm	100 Nm	16 min ⁻¹	0,75 kW	940 min ⁻¹	2.3 A	C
			25 min ⁻¹	1.1 kW	1 405 min ⁻¹	2.5 A	D
			32 min ⁻¹	1.1 kW	1 405 min ⁻¹	2.5 A	E
			40 min ⁻¹	1.5 kW	1 410 min ⁻¹	3.35 A	F
			50 min ⁻¹	1.5 kW	2 835 min ⁻¹	3.3 A	G
			63 min ⁻¹ 36)	1.5 kW	1 410 min ⁻¹	3.35 A	H
			80 min ⁻¹ 36)	2.2 kW	2 845 min ⁻¹	4.7 A	J
			125 min ⁻¹ 36)	3.0 kW	2 895 min ⁻¹	6.0 A	K
120 ÷ 200 Nm	120 Nm	80 Nm	180 min ⁻¹ 36)	3.0 kW	2 895 min ⁻¹	6.0 A	L
300 ÷ 500 Nm	300 Nm	200 Nm	16 min ⁻¹	1.1 kW	925 min ⁻¹	3.15 A	P
			25 min ⁻¹	1.5 kW	1 410 min ⁻¹	3.35 A	Q
			32 min ⁻¹	2.2 kW	1 425 min ⁻¹	4.65 A	R
			40 min ⁻¹	2.2 kW	1 425 min ⁻¹	4.65 A	S
			50 min ⁻¹	2.2 kW	2 845 min ⁻¹	4.7 A	T
250 ÷ 400 Nm	240 Nm	160 Nm	63 min ⁻¹ 36)	2.2 kW	1 425 min ⁻¹	4.65 A	U
			80 min ⁻¹ 36)	3.0 kW	2 895 min ⁻¹	6.0 A	V
180 ÷ 300 Nm	180 Nm	120 Nm	125 min ⁻¹ 36)	3.0 kW	2 895 min ⁻¹	6.0 A	W

		44)		
	S1/S2, S3/S4, S5/S6	1 ÷ 3	1.75; 3	Z403a+Z41a
		2.5 ÷ 685	5.7; 10.5; 19; 34; 63; 113; 206; 375; 685	ZK403a+ZK41a
	S1/S2, S3/S4 c	1 ÷ 3	1.75; 3	Z461f+Z41a
		2.5 ÷ 685	5.7; 10.5; 19; 34; 63; 113; 206; 375; 685	ZK461f+ZK41a
46)	S1/S2, S3/S4, S5/S6	1 ÷ 3	1.75; 3	Z575+Z41a
		2.5 ÷ 685	5.7; 10.5; 19; 34; 63; 113; 206; 375; 685	ZK575+ZK41a
	S1/S2, S3/S4 c	1 ÷ 3	1.75; 3	Z575a+Z41a
		2.5 ÷ 685	5.7; 10.5; 19; 34; 63; 113; 206; 375; 685	ZK575a+ZK41a
	S13/S14			

160. x - x x x x x x / x x							
					A		
			1 x 100 W	Z5c / ZK5c	B		
			1 x 2 000 W		F		
					2 x 100 W	Z6c / ZK6c	K
					2 x 2 000 W		P
R/I ⁵¹⁾	2-		4 - 20 mA	Z10g / ZK10g	S		
			0 - 20 mA		T		
			3-		4 - 20 mA	Z257b ZK257b	V
					0 - 5 mA		Y
	2-		4 - 20 mA	Z269r / ZK269r	Q		
			0 - 20 mA		U		
			3-		4 - 20 mA	Z260h / ZK260h	W
					0 - 5 mA		Z
R/U ⁵¹⁾		0 - 10 V	Z257m / ZK257m	D			
		0 - 10 V		R			
CPT ⁵¹⁾⁽⁵²⁾		2-	4 - 20 mA	Z10g / ZK10g	I		
		3-	0 - 5 mA	Z257n / ZK257n	5		
		2-	4 - 20 mA	Z269r / ZK269r	J		
		3-	0 - 5 mA	Z260m / ZK260m	6		
DCPT 3M ⁵¹⁾⁽⁵²⁾		2-	4 - 20 mA	Z10g / ZK10g	2		
			4 - 20 mA	Z269r / ZK269r	3		

e	ISO 5210	F14	B2	Ø60/Ø45	P-2133b	P-2123	2
			B3	Ø60/Ø30		P-2124	B
			B4	Ø60/Ø45		P-2123	4
			C	Ø60/Ø45		P-1435	C
			D	Ø45/Ø30		P-1437	D
e o	ISO 5210	F14 ⁶¹⁾	A	Max. TR42	P-2133b	P-2121/A	F
		F14	B1	Ø60/Ø45/18		P-1471	A
		55510		Ø45/Ø57 5- 35°/37°		P-1463	1
						P-2125	G

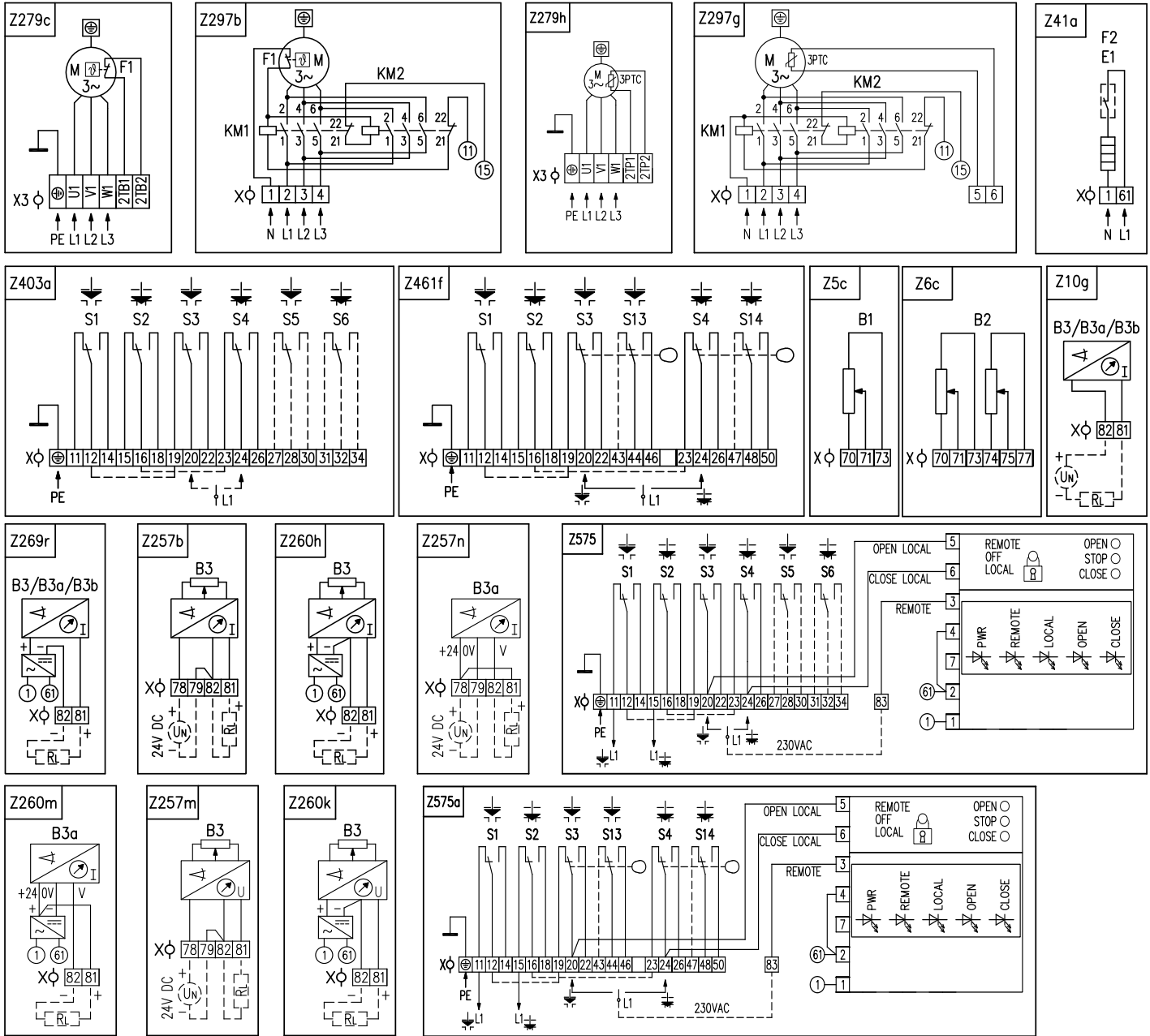
	4 25				0	1
B					0	3
C					0	4
F		PTC, 150 °C			Z279h / ZK279h Z297g / ZK297g	0 5
H		e				4 0

: B+C=06, B+F=07, B+H=41, B+C+H=44, C+H=42, C+F=08, B+C+F=09

- 1) 150°C.
- 10) ISO 9223/ ENISO 12944-2.
- 21) -40°
- 25) (3x500; 3x480; 3x415 V AC).
- 31) .1.3
- 32) S2-10 min a S4-25% 90 /
- 33) S4-25%, 90 1200 /
- 34) 60 S4-25%, 90-1200 / 1,2 0,8
- 36) S3, S4
- 44) 3 34 75%,
- 46) M -40°C.
- 51) -60°C.
- 52) CPT - , DCPT -
- 61) 400Nm.

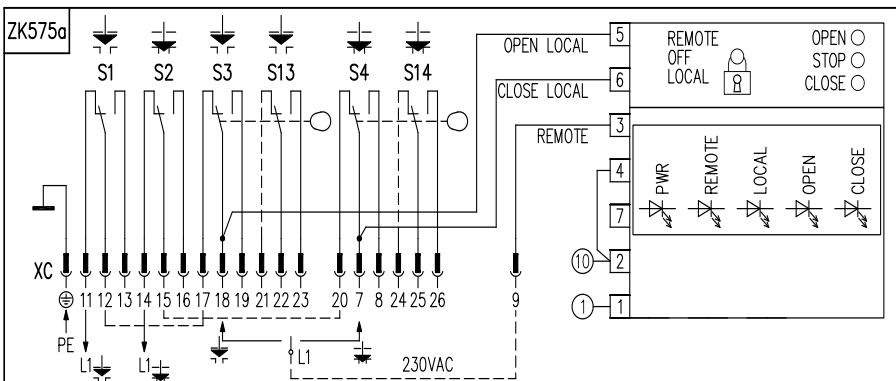
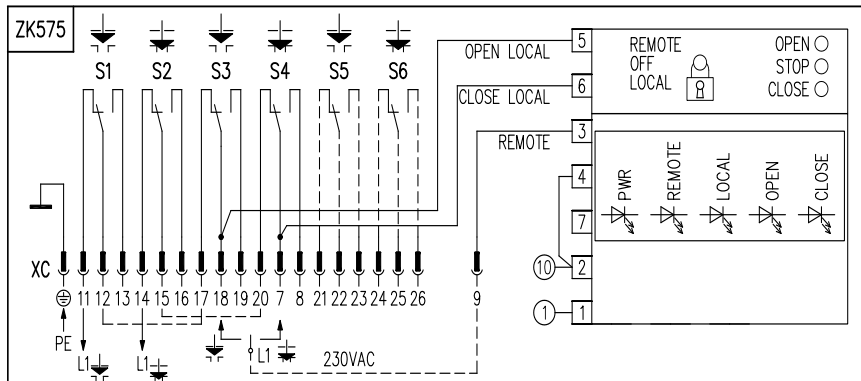
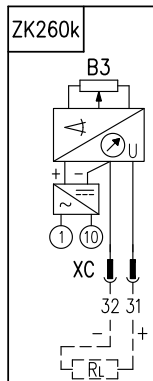
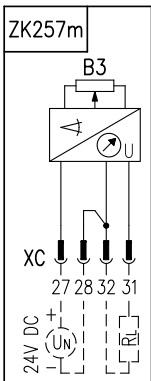
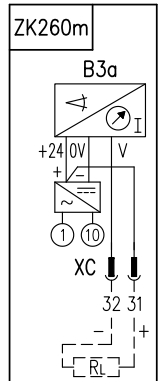
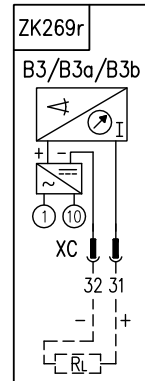
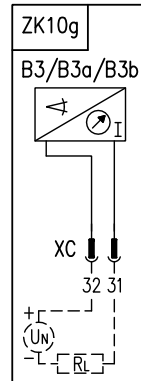
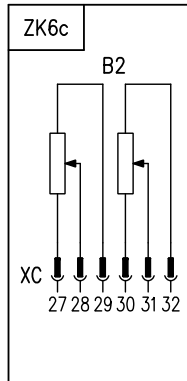
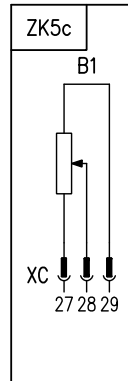
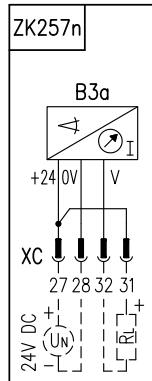
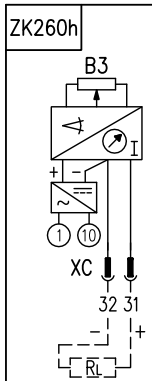
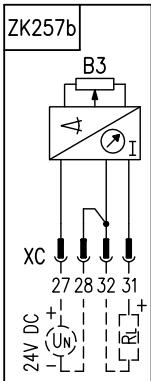
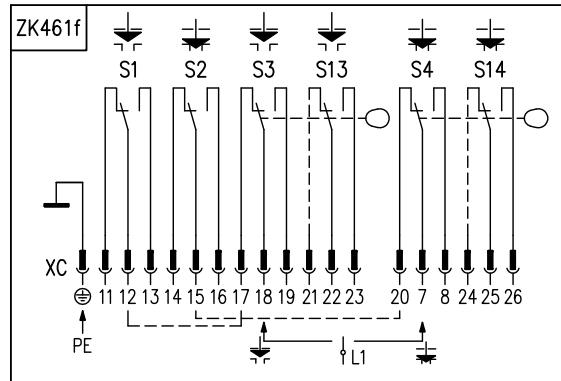
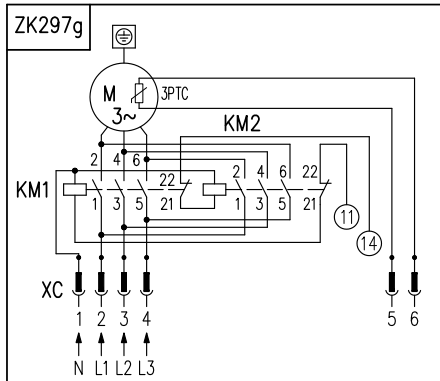
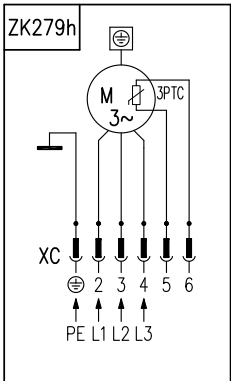
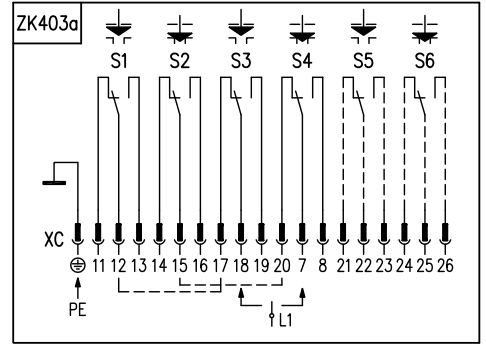
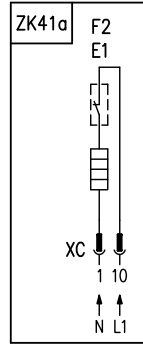
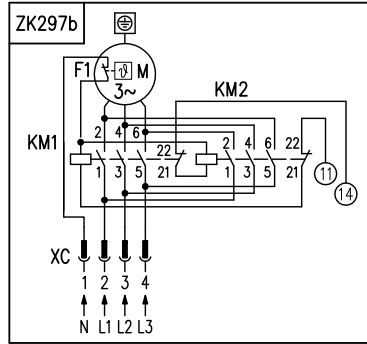
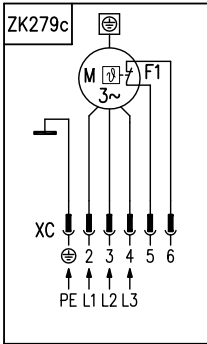
MO 4

Svorkovnicové pripojenie (Terminal connection)



) 2 : M25x1,5 12,5 19 mm, (X) 32
 . 2,5 mm² x . 24 . 2,5 mm²
 . 6 . 1,5 mm²
) M25x1,5. x :

P



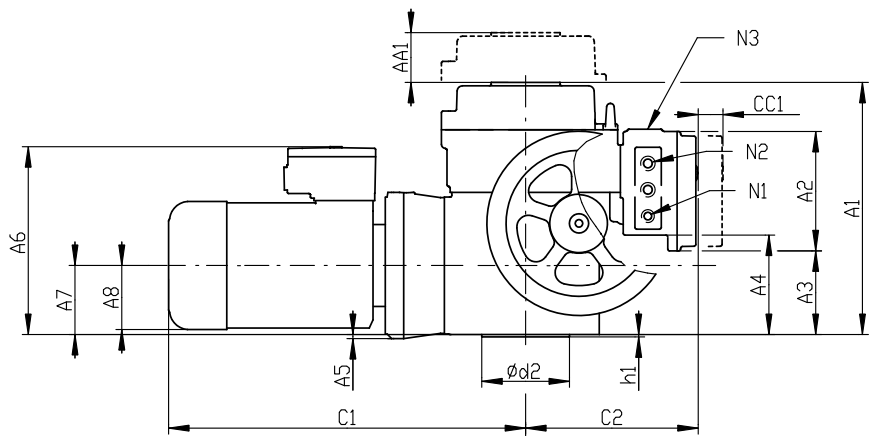
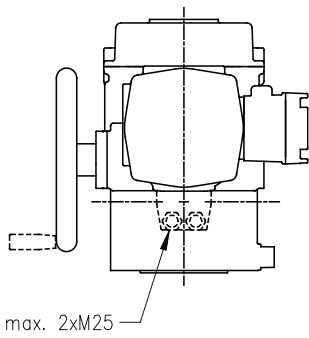
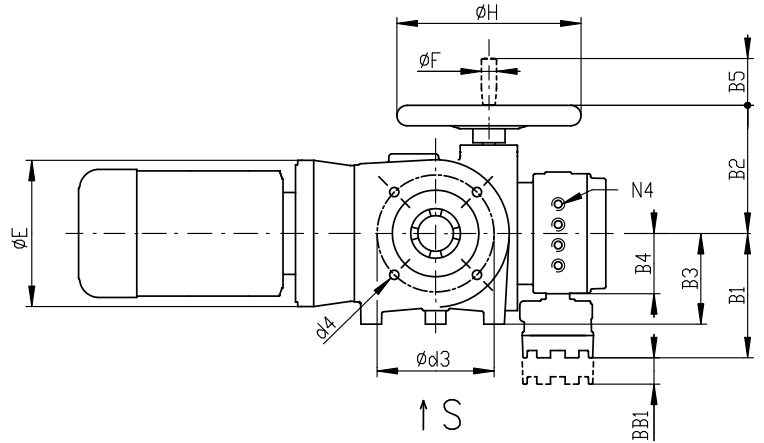
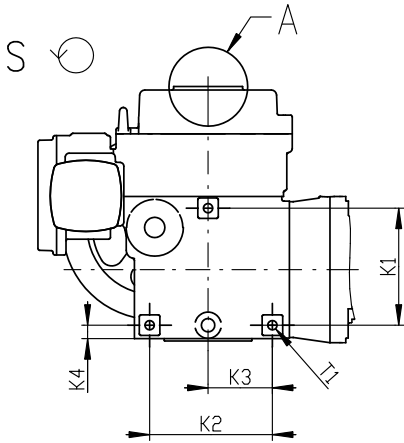
:
 - 2 (XC): : M25x1,5 -
 12,5 19 M25x1,5 mm -
 12,5 19 mm.
 - .32
 0,5 mm².

x

Z5c/ZK5c	:				
Z6c/ZK6c		,			
Z10g/ZK10g			,	CPT	DCPT 3M - 2-
Z41a/ZK41a					
Z257b/ZK257b			,3-		
Z257m/ZK257				,3-	
Z257n/ZK257n				CPT, 3-	
Z260h/ZK260h			,3-		
Z260k/ZK260k				,3-	
Z260m/ZK260m			CPT, 3-		
Z269r/ZK269r					CPT DCPT 3M - 2-
Z279c/ZK279c					PTO
Z279h/ZK279h					PTC
Z297b/ZK297b					PTO
Z297g/ZK297g					PTC
Z403a/ZK403a		a			
Z461f/ZK461f		a			
Z575/ZK575		a			
Z575a/ZK575a		a	-		

B1	p	,			
B2	p	,			
B3					
B3a			- CPT		
B3b			DCPT ()	
E1					
F1			()	
F2					
I					
U					
KM1, KM2	e				
M					
PTC/PTO	a	a			
R _L					
REMOTE-OFF-LOCAL			-	-	-
OPEN-STOP-CLOSE			-	-	-
S1			"	"	
S2			"	"	
S3	"	"	"	"	
S4	"	"	"	"	
S5			"	"	
S6			"	"	
S13	-		"	"	
S14	-		"	"	
X					
X3					
XC					

MO 4

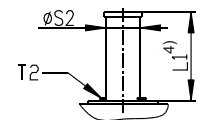
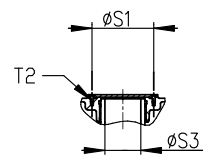


- 1) M
- 2) M
- 3)
- 4) L1 -
- 5) M
- 6)

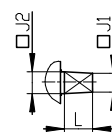
P-2125.

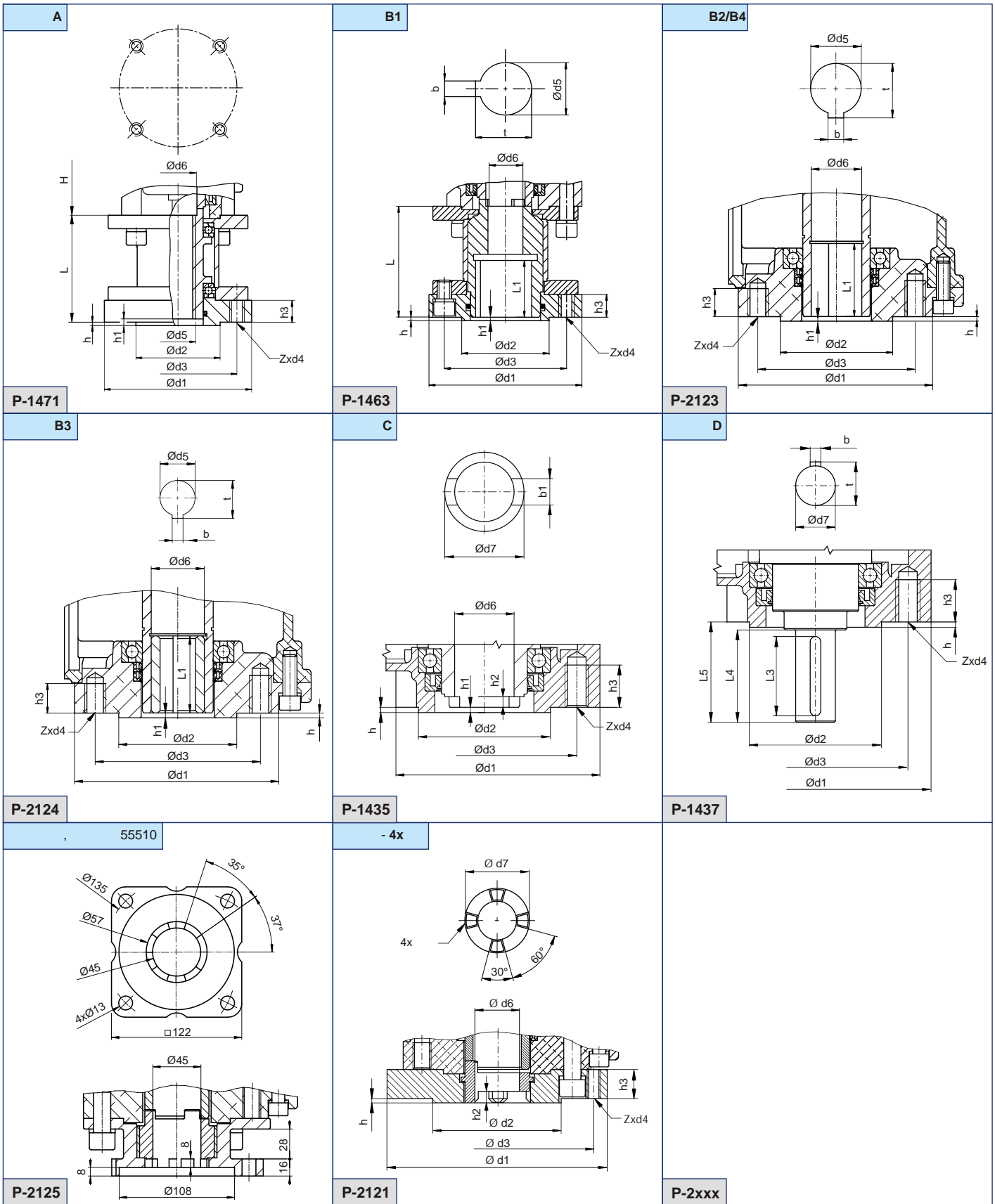
Profibus/Modbus.

A1	407	J1	14
AA1 min. ⁵⁾	600	J2	16
A2	204	K1	140
A3	98	K2	160
A4	125	K3	75
A5 max.	-	K4	47
A6 max.	240	L	18
A7	114	N1	M16x1.5
A8 max.	87	N2	2x M25x1.5
B1	213	N3	M20x1.5
BB1 min. ¹⁾	600	N4 ³⁾	4x M16x1.5
B2	173	S1	71
B3 max.	147	S2	57x5
B4	103	S3	45
B5	79	T1	3x M12-24
C1 max.	511	T2	3x M4-8
Cc1 min. ²⁾	600	d2 ⁶⁾	100
C2	306	d3 ⁶⁾	140
ØE max.	200	d4	8x M16
ØF	26	Z	8
ØH	200	h1	4



MO 4





P-2121/A	4-	F14	-	-	205	120	180	4xM12	-	41.5	60	4	-	10	27	-	-	-	-	-	-
P-1437	D	F14	8	-	175	100	140	8xM16	-	-	30	4	-	-	25	-	-	63	70	76	33
P-1435	C	F14	-	20	175	100	140	8xM16	-	45	60	4	4	8	25	-	-	-	-	-	-
P-2124	B3	F14	8	-	175	100	140	8xM16	30	45	-	4	4	-	25	-	65	-	-	-	32.9
P-2123	B2/B4	F14	14	-	175	100	140	8xM16	45	45	-	4	4	-	25	-	65	-	-	-	48.5
P-1463	B1	F14	18	-	175	100	140	4xM16	60	45	-	4	4	-	26	127	65	-	-	-	64.2
P-1471	A	F14	-	-	175	100	140	4xM16	Tab 1	45	-	4	4	-	26	127	-	-	-	-	-
			b	b1	d1	d2	d3	Zxd4	d5	d6	d7	h	h1	h2	h3	L	L1	L3	L4	L5	t

P-1471/e	TR 42x7LH
P-1471/d	TR 40x7LH
P-1471/c	TR 38x7LH
P-1471/b	TR 36x7LH
P-1471/a	Ø10
	d5

