



- 24 V AC, 220 V AC
- 2
- IP 65
- ISO 5211

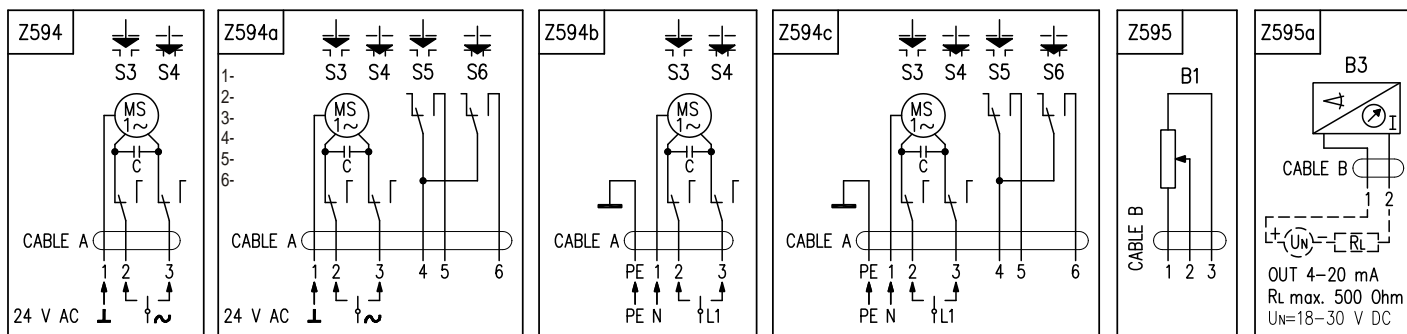
SP MIKRO

260.					X	-	X	X	X	X	X	/	X	X	
				10)											
/		o e													
3.1		-20°C ... +60°C		C3		IP 65									
2		-20°C ... +60°C		C3		IP 65									
- 1 m															
		230 V AC				Z594b, Z594c									
		220 V AC													
		24 V AC				Z594, Z594a									
8 Nm		50 Hz, 24 VDC		60 Hz											
		120 s/90°		100 s/90°											
				60°										A	
				90°										B	
				120°										C	
														A	
						1x100 W								B	
						1x1 000 W		Z595						E	
						1x2 000 W								F	
-				2-		4 - 20 mA		Z595a						S	
ISO 5211		F04		61)				P-2126						B	
				D-9		9x9								T	
				L-9		9x9								A	
				D-11		11x11								S	
				L-11		11x11								M	
				H-8		8x13								G	
				H-9		9x14								U	
				H-11		11x14									
A														0	
B		2		S5, S6				Z594a, Z594c						1	
				: A+B=04										2	

Poznámky:

- 10) ISO 9223 / EN ISO 12944-2.
 33) S4-25%, 90 - 1200 / S2-15 min, S4-25%, 6-90 / 0.4
 61) 60 , (). 80 %.

SP MIKRO



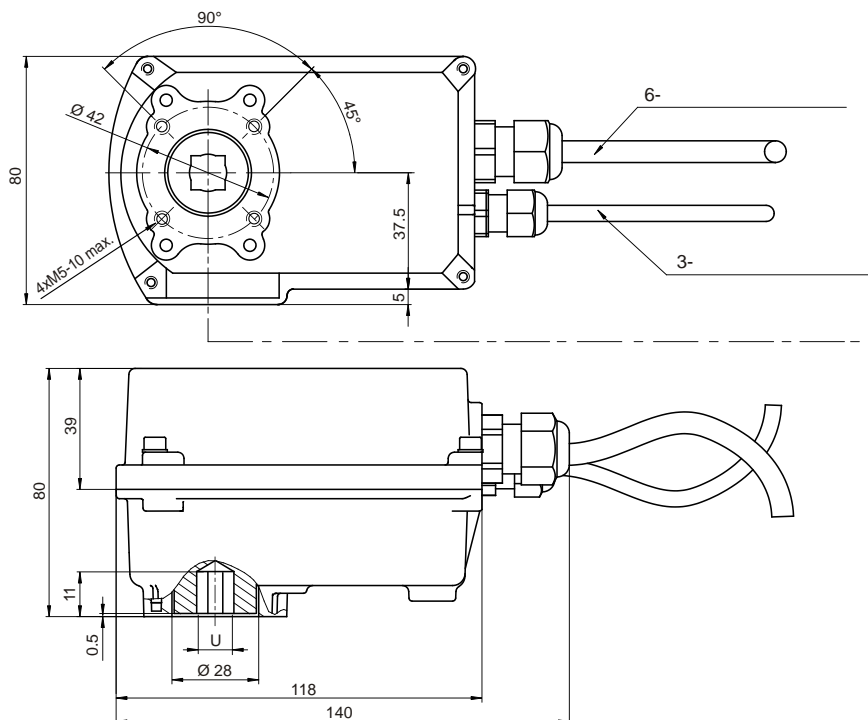
2 :
 A - e - 6x0,5²
 B - - 3x0,5 mm²

Z594	c	24 VAC	S3, S4	
Z594a	c	24 VAC	S3, S4	S4, S5
Z594b	c	220 VAC	S3, S4	
Z594c	c	220 VAC	S3, S4	
Z595	c			S4, S5
Z595a				

4-20

- B1
- B3
- C
- R_L
- I
- MS
- S3
- S4
- S5
- S6

SP MIKRO



D		L		H	
ISO		ISO		ISO	
D-xx	U	L-xx	U	H-xx	U V
D-9	9	L-9	9	H-8	8 13
D-11	11	L-11	11	H-9	9 14
				H-11	11 14

P-2126